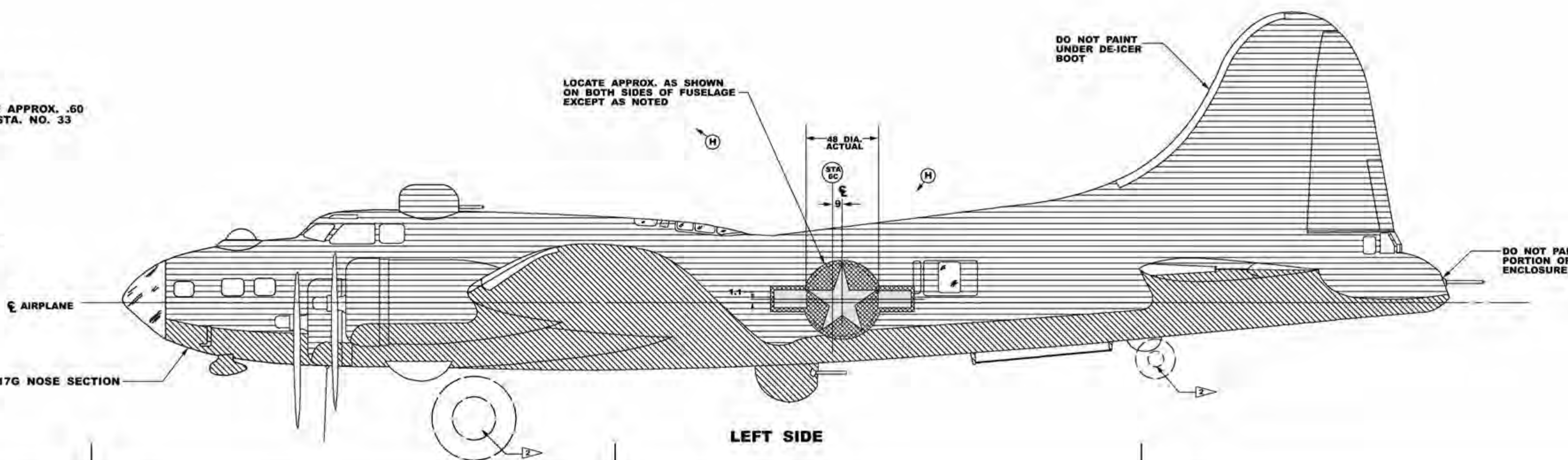
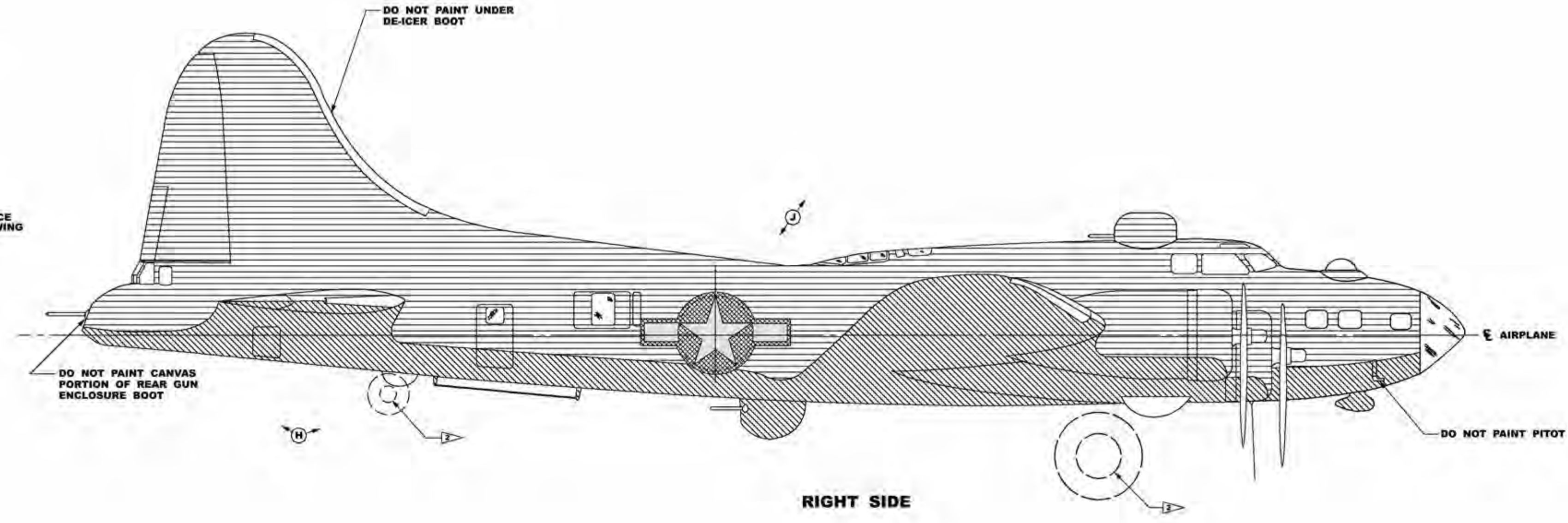
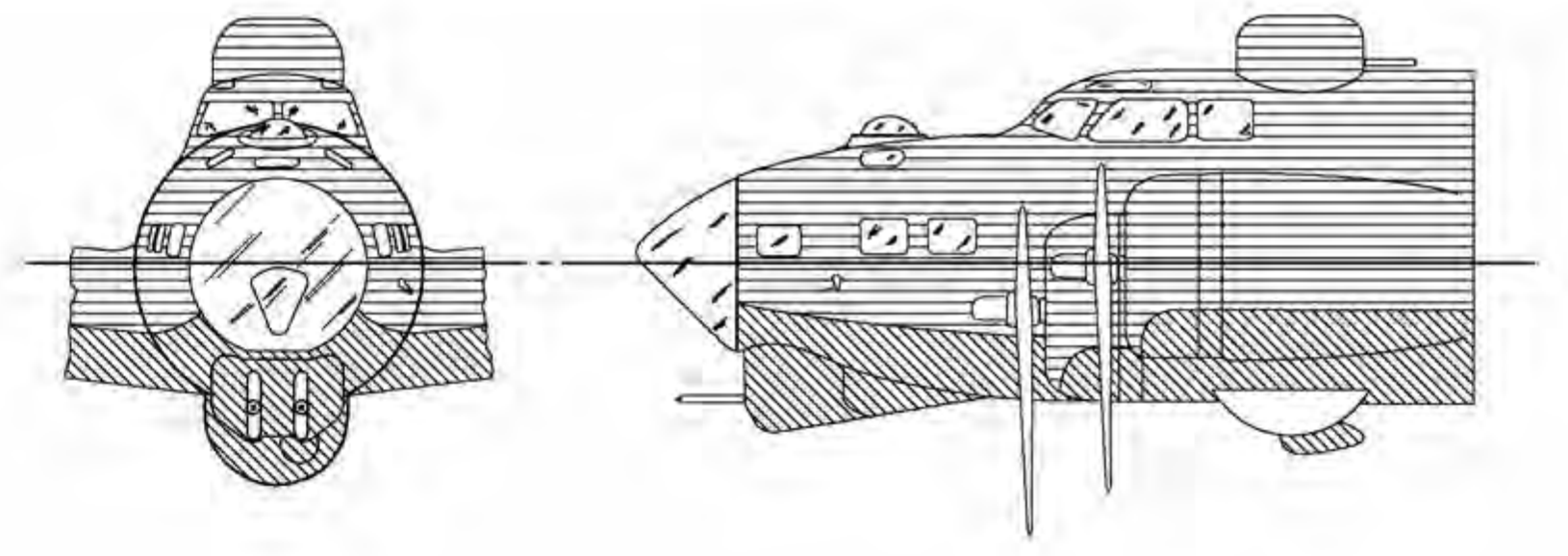
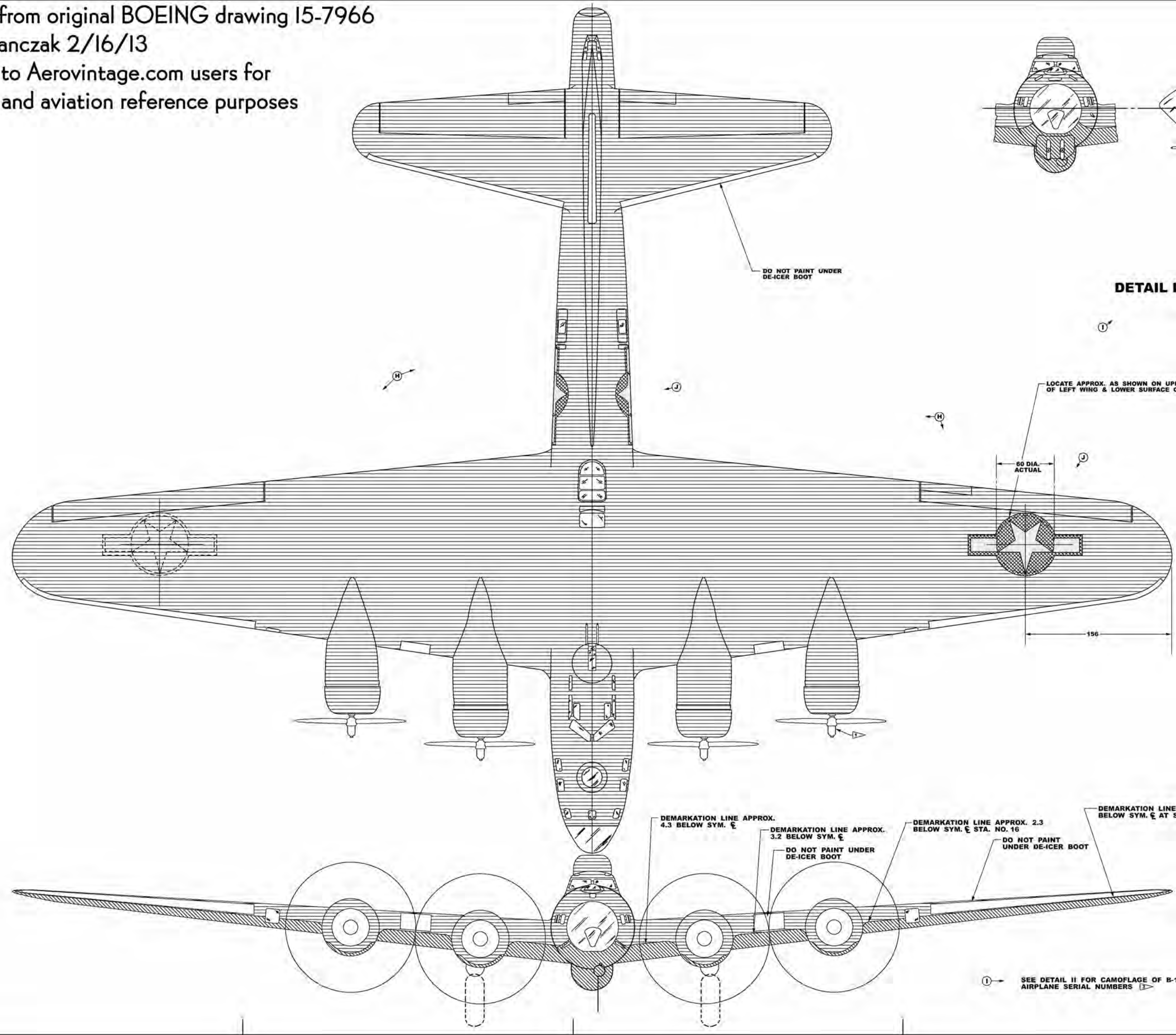
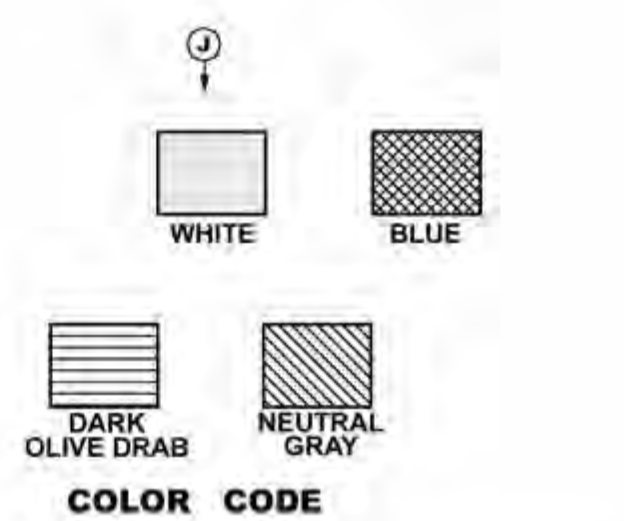


Redrawn from original BOEING drawing 15-7966
By Bill Stanczak 2/16/13
Released to Aerovintage.com users for modeling and aviation reference purposes

AIRPLANE SERIAL NUMBERS									
	LOCKHEED	DOUGLAS	BOEING	PART NUMBER	SHEET NO.	MODEL NO.	APPROX. USED ON DWG. NO.	QTY PER AIRCRAFT	FINISH SPEC.
			ALL	15-7966	1	B-17E			NOTED
			E->	15-7966	1	B-17F			NOTED
			E->	15-7966	1	B-17G			NOTED
			E->	15-7966	1A	B-17G			NOTED



- ▲ PHENOLIC CHIN TURRET FAIRING & PITOT MAST TO BE FINISHED WITH ONE COAT OF PRIMER SPEC. AILTP-556 & TWO COATS OF ALUMINUM LACQUER SPEC. AN-TT-L-51. SHT. 1A ONLY
- ▲ FABRIC SURFACES TO BE FINISHED PER BAC5603 (ARMY SPECULAR) SHT. 1A ONLY. AF42-32045 & ON
- ▲ AF42-102379 & ON
- ▲ AF41-24340 TO AF42-31031 INCL.
- ▲ AF42-31032 TO AF42-32044 INCL.
- ▲ LANDING GEAR WHEEL HUB DISKS TO BE COVERED WITH ONE COAT OF NEUTRAL GRAY CAMOFLAGE FINISH PER SPEC. 14109. SHT. 1 ONLY.
- ▲ ALL EXTERNAL SURFACES OF PROPELLERS AND HUBS TO BE SPRAYED WITH ONE COAT OF PRIMER, SPEC. 14080 AND FINISHED WITH ONE LIGHT COAT OF BLACK CAMOFLAGE FINISH, SPEC. 14109
- ① 4 INCHES OF EACH PROPELLER TIP TO BE BRIGHT YELLOW, SPEC. 14109 CHECK PROPELLERS AND HUBS PRIOR TO INSTALLATION AND AFTER CAMOFLAGE FOR BALANCE.
- ② EXTERIOR STENCILING TO BE PER. DWG. 65-5925 (B-17E), 75-5925 (B-17F & G)
- ③ FABRIC SURFACES TO BE FINISHED PER BAC 5603 (ARMY CAMOFLAGE) SHT. 1 ONLY.
- ④ METAL SURFACES TO BE COVERED WITH ONE COAT OF CAMOFLAGE FINISH SPEC. 14109, EXCEPT AS NOTED. ALL METAL SURFACES ON SHT. 1A UNFINISHED EXCEPT AS NOTED.
- ⑤ BLEND COLORS AT DEMARKATION LINES BY SPERSPRAYING. SHT 1 ONLY DEMARKATION LINES TO BE APPROX. 60" FROM VERT. E AT BOTTOM OF BODY AND NACELLES. SHT. 1 ONLY
- ⑥ ALL LOWER SURFACES OF WING, BODY, NACELLES AND HORIZONTAL TAIL TO BE NEUTRAL GRAY. SHT 1 ONLY.
- ⑦ WING AND BODY COCARD PER T.O. No. 07-1-1D WHITE, SHADE No. 46, BULLETIN 41
- ⑧ BLUE, SHADE No. 47, BULLETIN 41
- ⑨ NEUTRAL GRAY, SHADE No. 43, BULLETIN 41
- ⑩ DARK OLIVE DRAB, SHADE No. 41, BULLETIN 41
- ⑪ BLACK, SHADE No. 44, BULLETIN 41
- ⑫ YELLOW, SHADE No. 48, BULLETIN 41
- ⑬ COCARDS MAY BE ADDED BY PAINTING, OR AS A DECAL. INSIGNIA SPEC. 14118. FOR ARMY AIR FORCES APPROVED SOURCES - SEE BULLETIN No. 50.



SEE DETAIL II FOR CAMOFLAGE OF B-17G NOSE SECTION AIRPLANE SERIAL NUMBERS

USED TO INSTALL	SPEC. DWG.	QTY.	PART NUMBER	NAME OF PART	ZONE	SIZE	MATERIAL	NOTE

BOEING AIRCRAFT COMPANY, SEATTLE, WASH.

CAMOFLAGE MARKINGS & INSIGNIA

15-7966 SHT.1